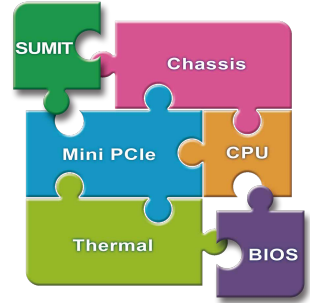


SPC-3500 Series

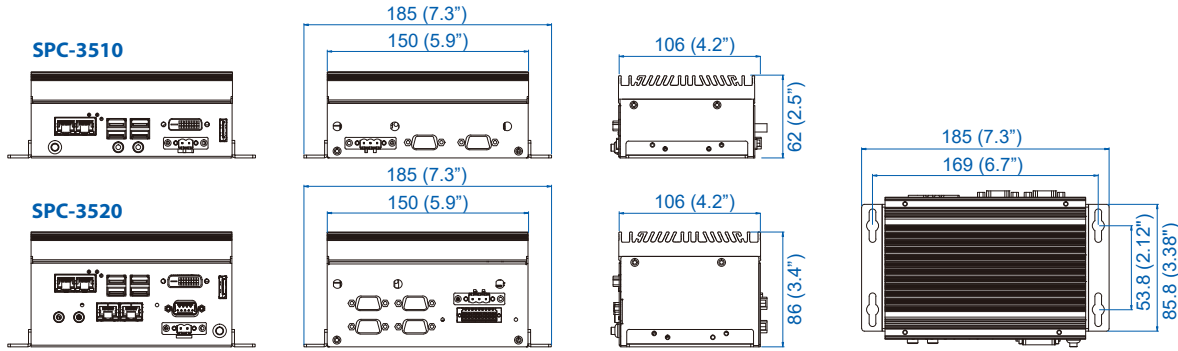
Intel® Core™ i7/ i5/ i3 U-series Processor (Skylake-U) Ultra-compact Fanless Embedded Box PC, 4 GigE LAN, 2 SSD, 1 SIM, 4 USB 3.0, 9 COM, 16 Isolated DIO, -40°C to 85°C, Rugged, High Performance, Extended Temperature



- 6th Generation Intel® Core™ i7/ i5/ i3 U-series SoC (Skylake-U)
- DDR4 2133MHz memory, up to 16GB
- Onboard DVI-D and DisplayPort display interfaces support up to 4K resolution
- Up to 5 Independent GigE LAN, iAMT 11.0 supported
- Optional supports full function SUMIT A, B expansions
- Fanless, -40°C to 85°C Operating Temperature
- 9V to 36V DC Power Input
- 16 Isolated DIO
- 4 USB 3.0, 9 COM RS-232/ 422/ 485
- One-stop SUMIT Expansion Design and Manufacturing Services



Dimensions & Drawing Unit: mm (inch)



Specifications

| System | | Ethernet | |
|------------------------|---|---------------------------|--|
| Processor | Intel® Core™ i7/ i5/ i3/ Celeron® U-series Processor (Skylake-U) | LAN 1 | Intel® I219 GigE LAN supports iAMT 11.0 |
| Chipset | Intel® SoC (Skylake) | LAN 2 | Intel® I210 GigE LAN |
| BIOS | AMI | LAN 3 | Intel® I210 GigE LAN |
| SIO | IT8786E | LAN 4 | Intel® I210 GigE LAN |
| Memory | 1 DDR4 2133/ 1866 MHz SO-DIMM, up to 16GB | LAN 5 | Optional by SUMIT expansion |
| OS | Windows 10, Windows 8.1, Windows 7, Linux | Power | |
| I/O Interface | | Power Input | 9V to 36V, DC-in |
| Serial | Up to 9 COM RS-232/ 422/ 485 | Power Interface | 3-pin Terminal Block : V+, V-, Frame Ground |
| USB | <ul style="list-style-type: none"> • 4 USB 3.0 (External) • Up to 4 USB 2.0 (Internal) | Remote Switch | 2-pin Terminal Block |
| DIO | SPC-3520, 3530 : 16 Isolated DIO : 8 DI, 8 DO SPC-3510 : 16 GPIO (Internal) | Others | |
| LED | Power, HDD | Watchdog Timer | Reset : 1 to 255 sec./min. per step |
| SIM Card | 1 SIM Card Socket (Internal) | Smart Management | Wake on LAN, PXE supported |
| Expansion | | HW Monitor | Monitoring temperature, voltages. Auto throttling control when CPU overheats. |
| Mini PCIe | 2 Mini PCIe Socket : <ul style="list-style-type: none"> • 1 Full-size for PCIe/ USB/ Internal SIM Card • 1 Full-size for PCIe/ USB/ mSATA | Mechanical | |
| SUMIT A, B | 2 SUMIT Slot (Optional) | Dimensions (WxLxH) | SPC-3510 : 150mm x 106mm x 62mm (5.9"x4.2"x2.5") SPC-3520 : 150mm x 106mm x 86mm (5.9"x4.2"x3.4") SPC-3530 : 150mm x 106mm x 100mm (5.9"x4.2"x3.9") |
| Graphics | | Weight | SPC-3510 : 1.4 kg (3.08 lb) SPC-3520 : 1.8 kg (3.97 lb) SPC-3530 : 2.1 kg (4.62 lb) |
| Processor | Intel® HD Graphics 520 | Mounting | <ul style="list-style-type: none"> • Wallmount by mounting bracket • 2U Rackmount (Optional) |
| Interface | <ul style="list-style-type: none"> • DVI-D : Up to 1920 x 1080 @ 60Hz • DisplayPort : Up to 3840 x 2160 @ 60Hz | Environment | |
| Storage | | Operating Temp. | -40°C to 85°C (-40°F to 185°F) |
| SATA | 2 SATA III (6Gbps) support S/W RAID function | Storage Temp. | -40°C to 85°C (-40°F to 185°F) |
| mSATA | 1 SATA III (Mini PCIe Type, 6Gbps) | Humidity | 5% to 95% Humidity, non-condensing |
| Storage Device | 2 2.5" SSD/ HDD Bracket (Internal) | Relative Humidity | 95% @ 70°C |
| Audio | | Shock | <ul style="list-style-type: none"> • IEC 60068-2-27 • SSD : 50G @ wallmount, Half-sine, 11ms |
| Audio Codec | Realtek ALC888S-VD, 7.1 Channel HD Audio | Vibration | <ul style="list-style-type: none"> • IEC 60068-2-64 • SSD : 5Grms, 5Hz to 500Hz, 3 Axis |
| Audio Interface | 1 Mic-in, 1 Line-out | EMC | CE, FCC, EN50155, EN50121-3-2 |

Order Information

| | |
|------------------------------------|---|
| SPC-3510-600U | • SPC-3500, onboard Intel® Core™ i7-6600U, 2 GigE LAN, 1 SSD, 4 USB 3.0, 2 COM, 1 SIM |
| SPC-3510-300U | • SPC-3500, onboard Intel® Core™ i5-6300U, 2 GigE LAN, 1 SSD, 4 USB 3.0, 2 COM, 1 SIM |
| SPC-3510-100U | • SPC-3500, onboard Intel® Core™ i3-6100U, 2 GigE LAN, 1 SSD, 4 USB 3.0, 2 COM, 1 SIM |
| SPC-3510-955U | • SPC-3500, onboard Intel® Celeron® 3955U, 2 GigE LAN, 1 SSD, 4 USB 3.0, 2 COM, 1 SIM |
| SPC-3520-600U | • SPC-3500, onboard Intel® Core™ i7-6600U, 4 GigE LAN, 1 SSD, 4 USB 3.0, 5 COM, 1 SIM, 16 Isolated DIO |
| SPC-3520-300U | • SPC-3500, onboard Intel® Core™ i5-6300U, 4 GigE LAN, 1 SSD, 4 USB 3.0, 5 COM, 1 SIM, 16 Isolated DIO |
| SPC-3520-100U | • SPC-3500, onboard Intel® Core™ i3-6100U, 4 GigE LAN, 1 SSD, 4 USB 3.0, 5 COM, 1 SIM, 16 Isolated DIO |
| SPC-3520-955U | • SPC-3500, onboard Intel® Celeron® 3955U, 4 GigE LAN, 1 SSD, 4 USB 3.0, 5 COM, 1 SIM, 16 Isolated DIO |
| SPC-3530-600U | • SPC-3500, onboard Intel® Core™ i7-6600U, 4 GigE LAN, 2 SSD, 4 USB 3.0, 9 COM, 1 SIM, 16 Isolated DIO |
| DDR4 16G | • Certified DDR4 16GB 2133MHz RAM |
| DDR4 8G | • Certified DDR4 8GB 2133MHz RAM |
| DDR4 4G | • Certified DDR4 4GB 2133MHz RAM |
| PWA-120W | • 120W, 24V, 90V AC to 264V AC Power Adapter with 3-pin Terminal Block |
| PWA-160W-WT | • 160W, 24V, 85V AC to 264V AC Power Adaptor with 3-pin Terminal Block, Wide Temperature -30°C to +70°C |
| TMK2-20P-100 | • Terminal Block 20-pin to Terminal Block 20-pin Cable, 100cm |
| TMK2-20P-500 | • Terminal Block 20-pin to Terminal Block 20-pin Cable, 500cm |
| TMB-TMBK-20P | • Terminal Board with One 20-pin Terminal Block Connector and DIN-Rail Mounting |
| 3G Module | • Mini PCIe 3G/GPS Module with Antenna |
| 4G Module | • Mini PCIe 4G/GPS Module with Antenna |
| WiFi & Bluetooth Module | • Mini PCIe WiFi & Bluetooth Module with Antenna |

SPC-3500-20210322